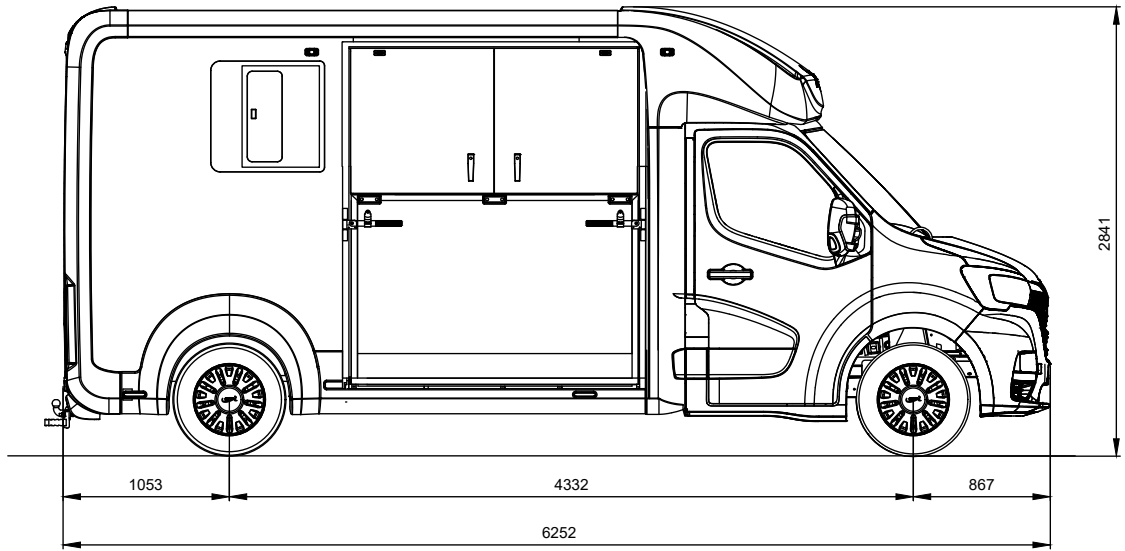
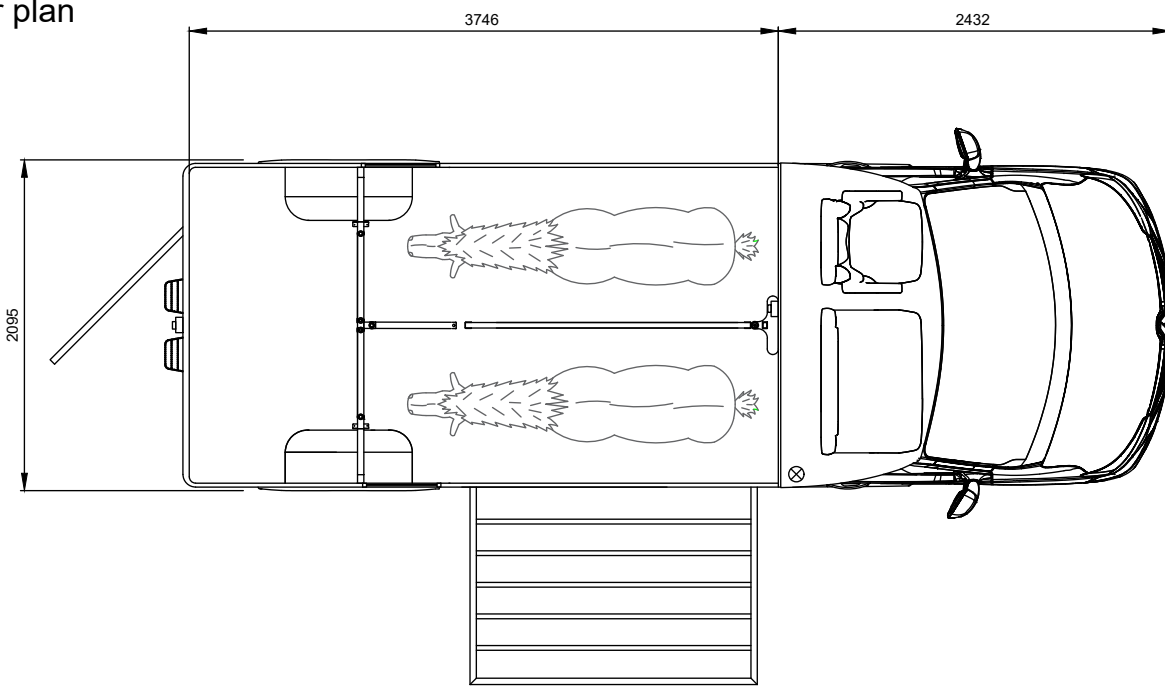


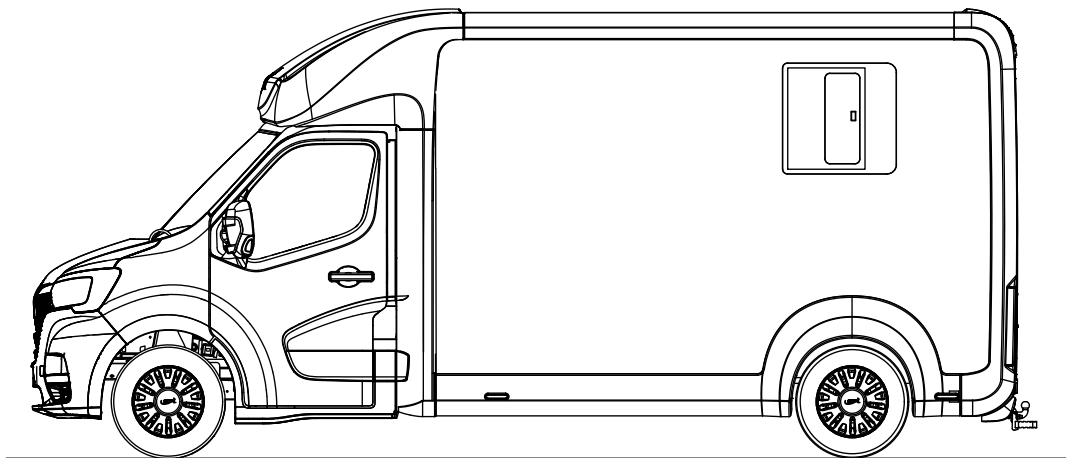
Right side view




Floor plan



Left side view



Designed by: -	Date: -	Description: Renault Master - L3 Short - Simple cab - Stallion		
Drawn by: Füreder Z.	Date: 2021.06.09.			
Checked by: -	Date: -	Drawing Nr.: REM_400_HOM_0022		Revision: -
Approved by: -	Date: -	Base tolerance: ISO 2768-c		Size: A4
Weight [kg]: -	Material: -		CAD system: AutoCAD	Scale: 1:1
				Sheet: 1